

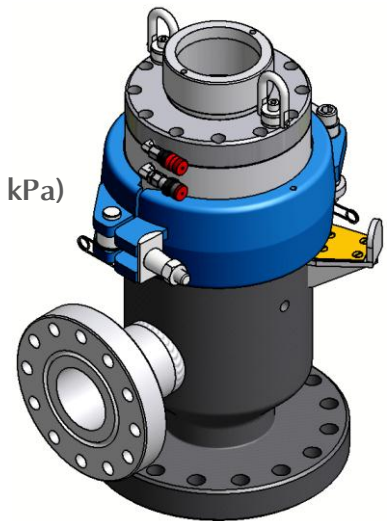
STRATA RCD 1500 Rotating Control Device Technical Specifications

Physical:

Inside Diameter, Bearing Assembly	7 1/16"	(17.9 cm)
Outside Diameter, Bearing Assembly	16 7/8"	(42.9 cm)
Height	39"-45"	(99.1 - 114.3 cm)

Ratings:

Maximum Static Pressure	1500 psi	(10,342 kPa)
	1000 psi (6895 kPa)	@ 100 RPM
	750 psi (5171 kPa)	@ 150 RPM
	500 psi (3447 kPa)	@ 200 RPM
Maximum RPM	200 RPM	

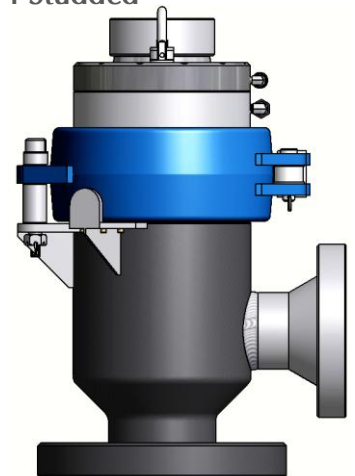


Connections:

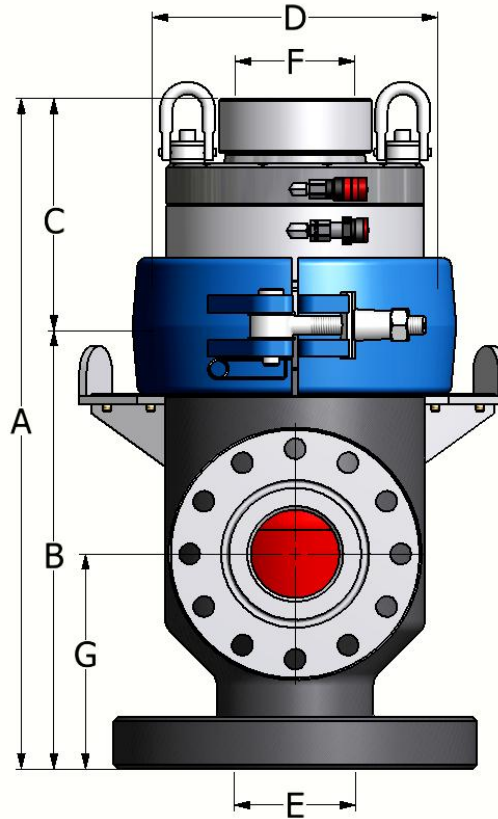
Bottom Inlet	API Flanged, Customer Spec.
Side Outlet	7 1/16" 3000# API Flanged
Equalize/Bleed Down	2" NPT Threaded
Snubbing Adaptor	7 1/16" 3000/5000# API Studded

Accessories:

- 5 – 10 HP hydraulic cooling and lubricating system
- Valving, equalizing line, and flexible flow line is available
- Available with ROTATING Bottom Flange



STRATA RCD 1500 Rotating Control Device Dimensional Data



Inlet Flange	A Bearing with Body	B** Body	C Clamp Brackets	D Connection Heights	E* Body Bore	F Clamp Width	G Bearing OD	H Bearing ID	Outlet Flange
7" 5000#	39 7/8" 101.3 cm	26 1/8" 66.4 cm	25 1/16" 63.6 cm	12 7/8" 32.7 cm	7 1/16" 17.9 cm	32 1/2" 82.5 cm	16 7/8" 42.8 cm	7 1/16" 17.9 cm	7 1/16" 3000# FL
7" 5000# Rotating	40 3/4" 103.5 cm	27" 68.6 cm	25 15/16" 65.8 cm	13 3/4" 34.9 cm	7 1/16" 17.9 cm	32 1/2" 82.5 cm	16 7/8" 42.8 cm	7 1/16" 17.9 cm	7 1/16" 3000# FL
9" 3000# Rotating	40 1/2" 102.9 cm	26 3/4" 67.9 cm	25 11/16" 65.2 cm	13 1/2" 34.3 cm	9" 27.9 cm	32 1/2" 82.5 cm	16 7/8" 42.3 cm	7 1/16" 17.9 cm	7 1/16" 3000# FL
11" 3000#	39" 99 cm	25" 63.5 cm	23 1/8" 58.7 cm	11 3/4" 29.9 cm	11" 28 cm	32 1/2" 82.5 cm	16 7/8" 42.3 cm	7 1/16" 17.9 cm	7 1/16" 3000# FL
11" 5000# Rotating	45" 114.3 cm	31" 78.7 cm	29 1/8" 74 cm	17 3/4" 45.1 cm	11" 28 cm	32 1/2" 82.5 cm	16 7/8" 42.3 cm	7 1/16" 17.9 cm	7 1/16" 3000# FL
13 5/8" 5000# Rotating	42 1/16" 106.8 cm	28 1/4" 71.8 cm	27 1/8" 68.9 cm	15" 38.1 cm	12 3/4" 32.4 cm	32 1/2" 82.5 cm	16 7/8" 42.3 cm	7 1/16" 17.9 cm	7 1/16" 3000# FL

*E Bore: varies due to flange size to maximum ID 13 5/8", ** 13 5/8" comes standard with ROTATING Bottom Flange. ROTATING Bottom flanges available in all sizes; add 2" to overall height for Rotating Flange. Note: Due to the uncontrolled conditions of the drilling environment, Strata Energy Services Inc., its business units, agents, and affiliates make no warranty either expressed or implied in regards to the working pressures contained herein, once put into service.