

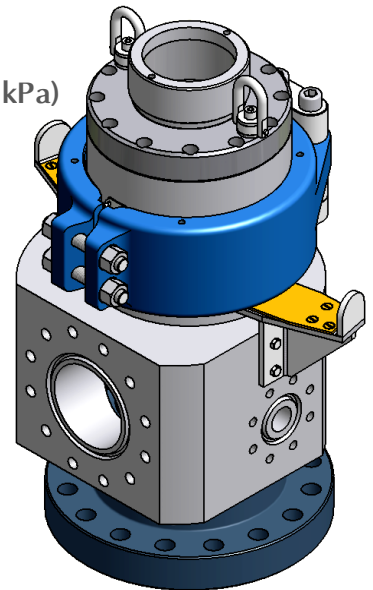
STRATA RCD 3000 S (Speed Head) Rotating Control Device Technical Specifications

Physical

Inside Diameter, Bearing Assembly	7 1/16"	(17.9 cm)
Outside Diameter, Bearing Assembly	16 7/8"	(42.8 cm)
Height	46 1/8" – 49 1/8"	(117.1-124.8 cm)

Ratings

Maximum Static Pressure	3000 psi	(20 685 kPa)
Dynamic Stripping & Rotating Pressure		
	2000 psi (17237 kPa)	@ 50 RPM
	1500 psi (13790 kPa)	@ 100 RPM
	1000 psi (10342 kPa)	@ 150 RPM
	500 psi (3447.5 kPa)	@ 200 RPM
Maximum RPM	200 RPM	

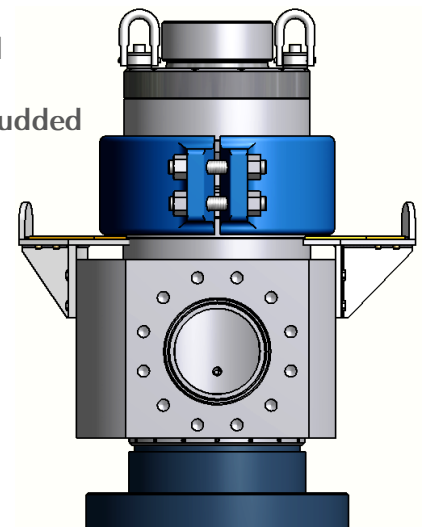


Connections:

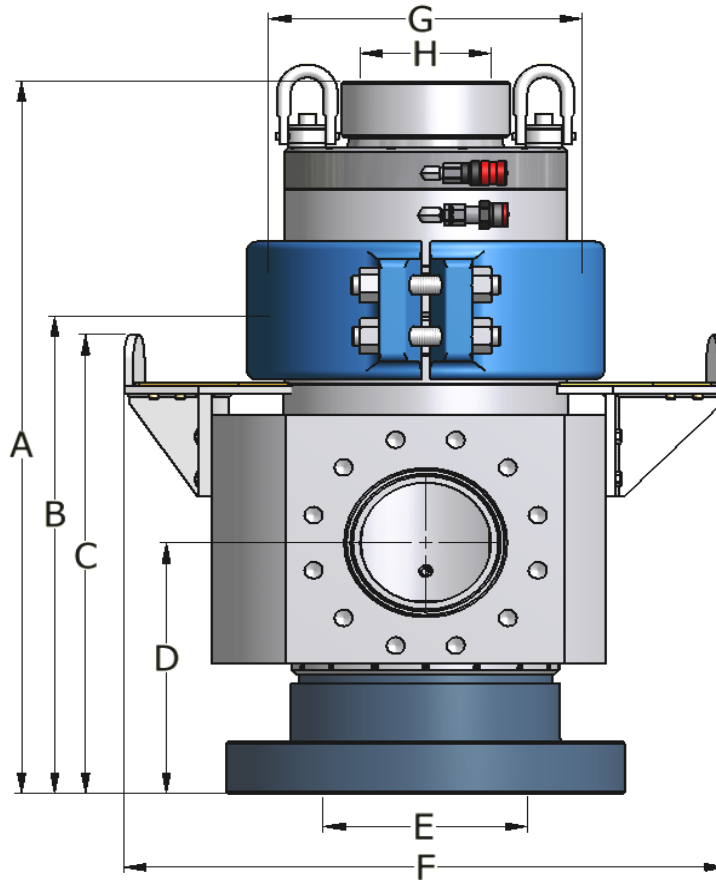
Bottom Inlet	API Flanged, Customer Spec.
Side Outlet(s)	single 7 1/16" 3000 / dual 5000# API Studded
Equalize/Bleed-Down	2 1/16" 5000# API Studded
Snubbing Adaptor	7 1/16" 3000/5000# API Studded

Accessories:

- 10 HP hydraulic cooling and lubricating systems
- Fully equipped field servicing unit
- Valving, equalizing line, and flexible flow line is available



STRATA RCD 3000 S (Speed Head) Rotating Control Device Dimensional Data



Inlet Flange	A Bearing with Body	B** Body	C Clamp Brackets	D Connection Heights	E* Body Bore	F Clamp Width	G Bearing OD	H Bearing ID	Outlet Flange
7" 3000#	46 1/8" 117.1 cm	32 15/64" 81.9 cm	29 7/16" 74.8 cm	17 3/8" 44.1 cm	7 1/16" 17.9 cm	32 1/2" 82.5 cm	16 7/8" 42.8 cm	7 1/16" 17.9 cm	7 1/16" 3000#
9" 3000#	48 1/32" 122.0 cm	34 5/32" 86.8 cm	31 3/8" 79.7 cm	19 9/32" 48.9 cm	9" 22.8 cm	32 1/2" 82.5 cm	16 7/8" 42.3 cm	7 1/16" 17.9 cm	7 1/16" 3000#
11" 3000#	46 5/8" 118.4 cm	32 3/4" 83.2 cm	29 31/32" 76.1 cm	17 7/8" 45.4 cm	11" 28 cm	32 1/2" 82.5 cm	16 7/8" 42.3 cm	7 1/16" 17.9 cm	7 1/16" 3000#
11" 5000# Rotating	49 1/8" 124.8 cm	35 1/4" 89.5 cm	34 1/32" 86.8 cm	21 31/32" 55.8 cm	11" 28 cm	32 1/2" 82.5 cm	16 7/8" 42.3 cm	7 1/16" 17.9 cm	Dual 7 1/16" 5000#

*E Bore: varies due to flange size to maximum ID 12.75"

Note: Due to the uncontrolled conditions of the drilling environment, STRATA Energy Services Inc., its business units, agents and affiliates make no warranty either expressed or implied in regards to the working pressures contained herein, once put into service.