

STRATA RCD 500 LP - Low Pressure Rotating Control Device Technical Specifications

Physical

Inside Diameter, Bearing Assembly	5 5/8"	(14.2 cm)
Outside Diameter, Bearing Assembly	13 1/2"	(34.29 cm)
Height	29 3/8" – 35 3/8" (74.6 – 89.9 cm)	

Ratings

Maximum Static Pressure	700 psi	(4,827 kPa)
Maximum Dynamic Pressure	500 psi	(3,447 kPa)

- 500 psi (3447 kPa) @ 50 rpm
- 400 psi (2758 kPa) @ 100 rpm
- 300 psi (2068 kPa) @ 150 rpm
- 200 psi (1378 kPa) @ 200 rpm

Maximum RPM	200 RPM
-------------	---------

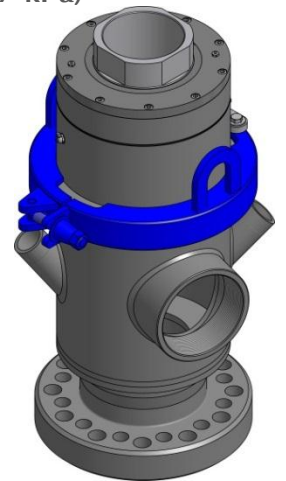
Connections

Bottom Inlet	API Flanged
Side Outlet	6" NPT or Customer Spec.
Equalize/Bleed Down	2 x 2" NPT Threaded

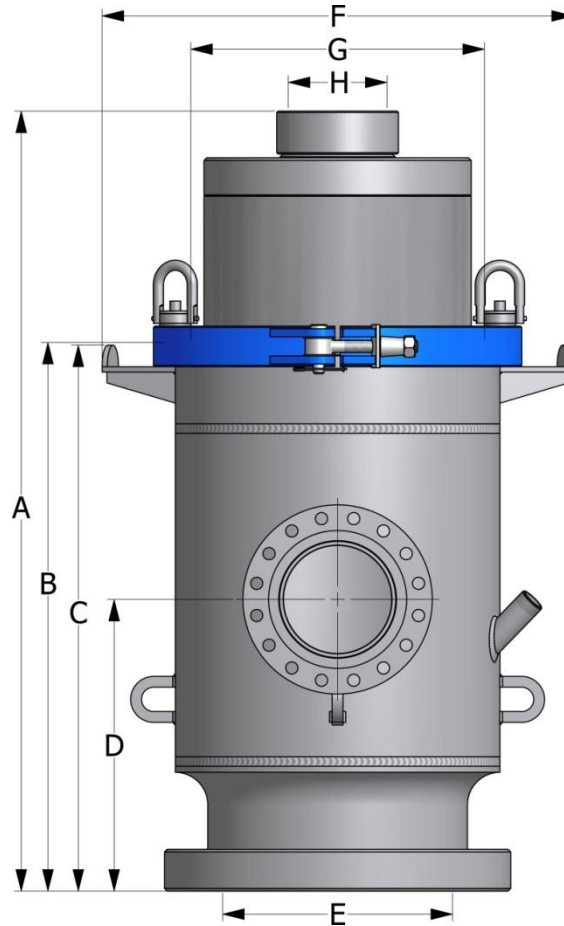
Accessories

- Manual lubrication system (grease)

Valving, equalizing line, and flexible flow line is available



STRATA RCD 500 LP- Low Pressure Rotating Control Device Dimensional Data



Inlet Flange	A Bearing with Body	B** Body	C Clamp Brackets	D Connection Heights	E* Body Bore	F Clamp Width	G Bearing OD	H Bearing ID	Outlet Flange
7 1/16" 2000 / 3000#	35 3/8" 89.9 cm	21 1/4" 54.0 cm	19 3/4" 50.3 cm	17 1/2" 44.5 cm	7 1/16" 17.9 cm	18" 45.7 cm	13 1/2" 34.3 cm	5 5/8" 14.3 cm	6" NPT
9" 2000 / 3000#	34 7/8" 88.6 cm	23 3/4" 60.3 cm	19 19/64" 49 cm	17 3/4" 45.1 cm	9" 22.9 cm	18" 45.7 cm	13 1/2" 34.3 cm	5 5/8" 14.3 cm	6" NPT
11" 3000#	29 3/8" 74.6 cm	18 1/4" 46.4 cm	13 13/16" 35.1 cm	14 1/2" 36.8 cm	11" 27.9 cm	18" 45.7 cm	13 1/2" 34.3 cm	5 5/8" 14.3 cm	6" NPT

*E Bore: varies due to flange size to maximum ID 10.97".

Note: Due to the uncontrolled conditions of the drilling environment, Strata Energy Services Inc., its business units, agents, and affiliates make no warranty either expressed or implied in regards to the working pressures contained herein, once put into service.