

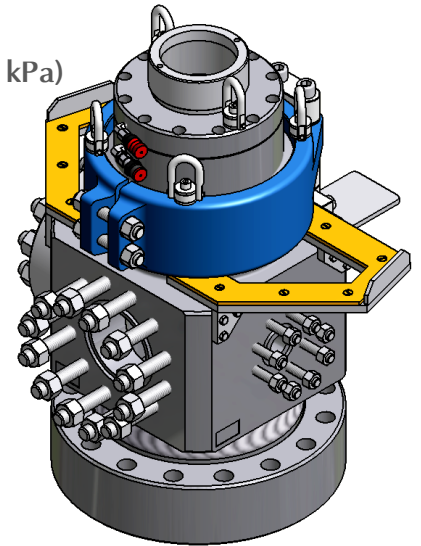
STRATA RCD 5000 STB (True Bore) Rotating Control Device Technical Specifications

Physical

Inside Diameter, Bearing Assembly	7 1/16"	(17.9 cm)
Outside Diameter, Bearing Assembly	18 3/4"	(47.6 cm)
Height	45 7/8"	(116.53 cm)

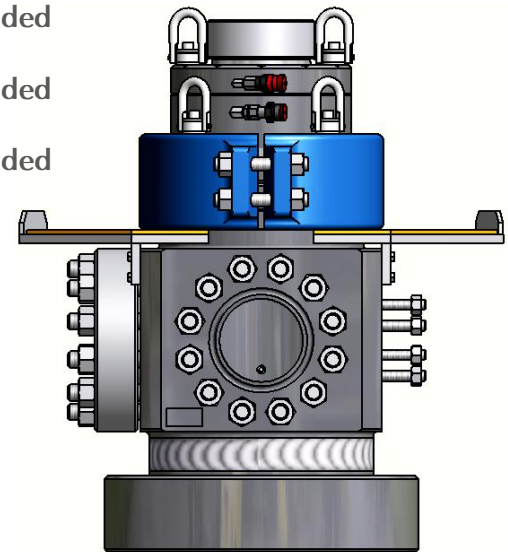
Ratings

Maximum Static Pressure	5000 psi	(34 475 kPa)
Dynamic Stripping & Rotating Pressure		
	2500 psi (17237 kPa)	@ 50 RPM
	2000 psi (13790 kPa)	@ 100 RPM
	1500 psi (10342 kPa)	@ 150 RPM
	1000 psi (6895 kPa)	@ 200 RPM
Maximum RPM	200 RPM	



Connections

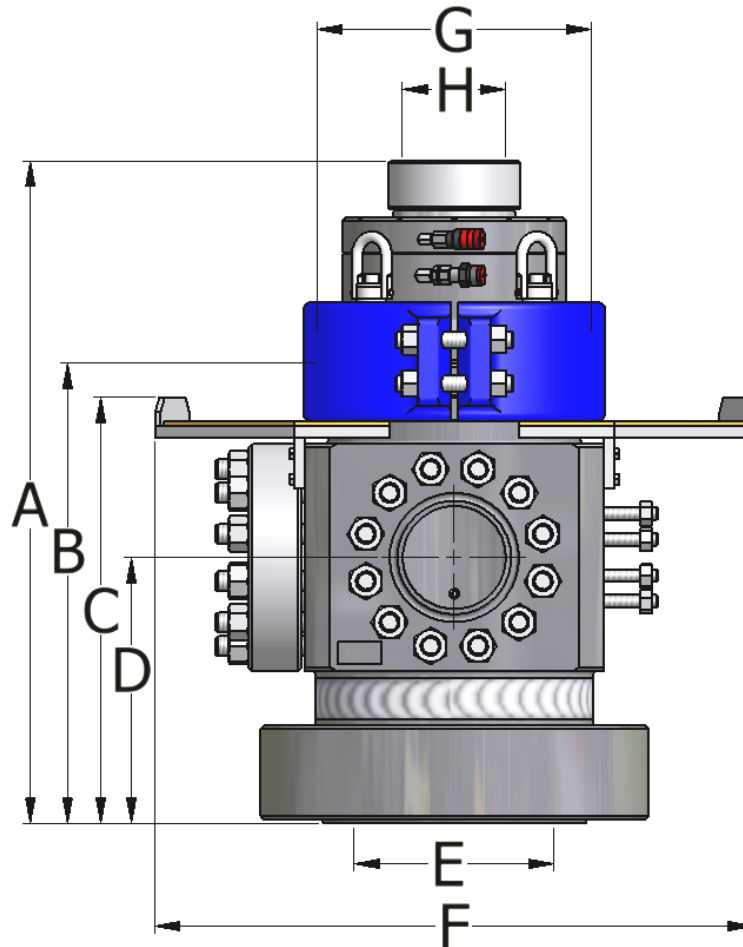
Bottom Inlet:	13 5/8" API Rotating Flange, or Customer Spec.
Side Outlet(s):	7 1/16" 5000# API Studded
Equalize/Bleed Down:	2 1/16" 5000# API Studded
Snubbing Adaptor:	7 1/16" 5000# API Studded



Accessories

- 30 HP fully-automated hydraulic cooling and lubricating system
- Fully equipped field servicing unit
- Valving, equalizing line, and flexible flow line is available

STRATA RCD 5000STB (True Bore) Rotating Control Device Dimensional Data



Inlet Flange	A Bearing with Body	B** Body	C Clamp Brackets	D Connection Heights	E* Body Bore	F Clamp Width	G Bearing OD	H Bearing ID	Outlet Flange	Height w/ Dual Stripper
11" 5K	45 7/8" 116.53 cm	32" 81.28 cm	29 7/8" 75.88 cm	18 3/4" 45.63 cm	11" 27.9 cm	40 7/8" 103.8 cm	18 3/4" 47.6 cm	7 1/16" 17.9 cm	2 @ 7 1/16" 5K	70" 177.8 cm
13 5/8" 5K	45 7/8" 116.53 cm	32" 81.28 cm	29 7/8" 75.88 cm	18 3/4" 45.63 cm	13 5/8" 34.6 cm	40 7/8" 103.8 cm	18 3/4" 47.6 cm	7 1/16" 17.9 cm	2 @ 7 1/16" 5K	70" 177.8 cm

*C Bore: varies due to flange size to maximum ID 13 5/8"

**B Body Add 5 3/8" to B for clamp heights

Note: Due to the uncontrolled conditions of the drilling environment, STRATA Energy Services Inc., its business units, agents and affiliates make no warranty either expressed or implied in regards to the working pressures contained herein, once put into service.