

STRATA RCD 3000 Rotating Control Device Technical Specifications

Physical

Inside Diameter, Bearing Assembly	7 1/16"	(17.9 cm)
Outside Diameter, Bearing Assembly	16 7/8"	(42.9 cm)
Height	39" - 45"	(99.1-114.3 cm)

Ratings

Dynamic Stripping & Rotating Pressure

2000 psi (17237 kPa)	@ 50 RPM
1500 psi (13790 kPa)	@ 100 RPM
1000 psi (10342 kPa)	@ 150 RPM
500 psi (3447 kPa)	@ 200 RPM

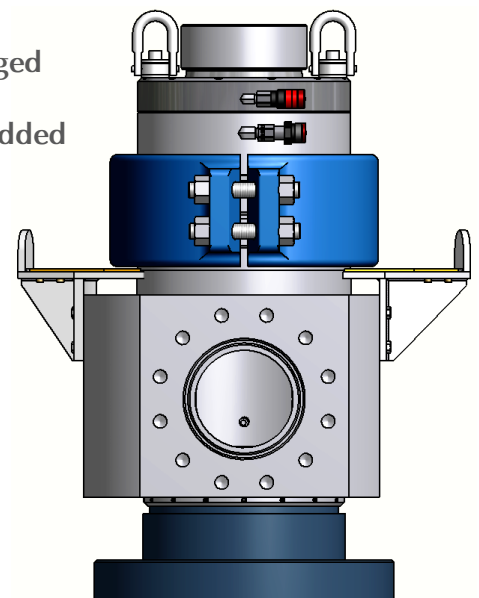
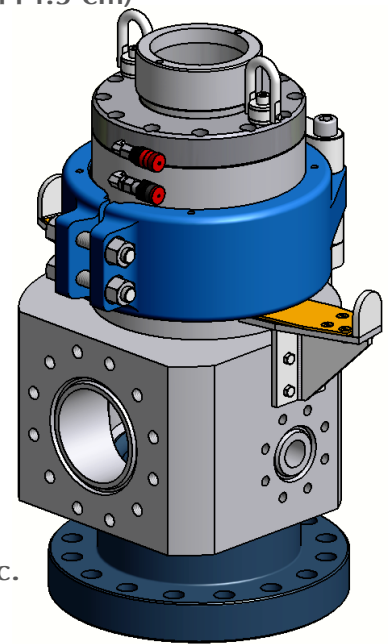
Maximum RPM 200 RPM

Connections

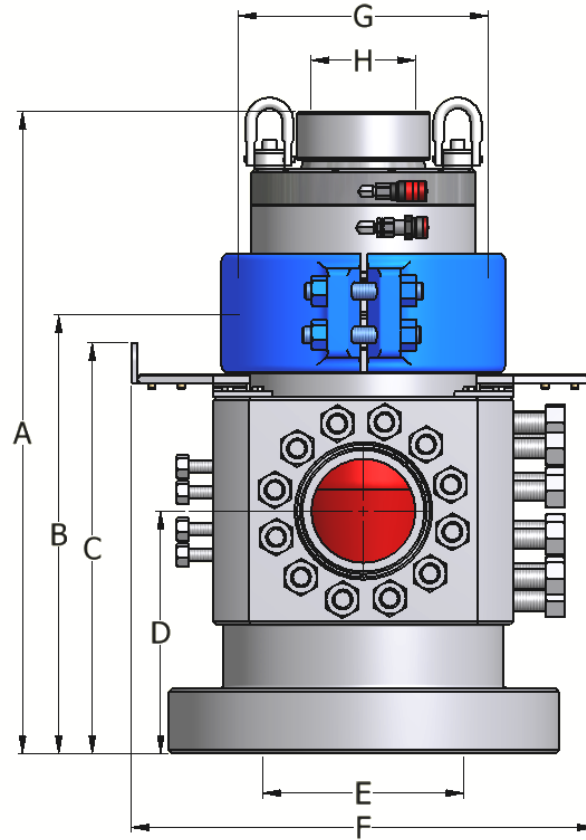
Bottom Inlet	API Flanged, Customer Spec.
Side Outlet(s)	7 1/16" 3000# API Flanged
Equalize/Bleed Down	2 1/16" 5000# API Flanged
Snubbing Adaptor	7 1/16" 3000 or 5000# API Studded

Accessories

- 5 or 10 HP hydraulic cooling and lubricating systems
- Fully equipped field servicing unit
- Valving, equalizing line, and flexible flow line is available



STRATA RCD 3000 Rotating Control Device - Dimensional Data



Inlet Flange	A Bearing with Body	B** Body	C Clamp Brackets	D Connectio n Heights	E* Body Bore	F Clamp Width	G Bearing OD	H Bearing ID	Outlet Flange
7" 5000#	39 7/8" 101.3 cm	26 1/8" 66.4 cm	25 1/16" 63.6 cm	12 7/8" 32.7 cm	7 1/16" 17.9 cm	32 1/2" 82.5 cm	16 7/8" 42.8 cm	7 1/16" 17.9 cm	7 1/16" 3000# FL
7" 5000# Rotating	40 3/4" 103.5 cm	27" 68.6 cm	25 15/16" 65.8 cm	13 3/4" 34.9 cm	7 1/16" 17.9 cm	32 1/2" 82.5 cm	16 7/8" 42.8 cm	7 1/16" 17.9 cm	7 1/16" 3000# FL
9" 3000# Rotating	40 1/2" 102.9 cm	26 3/4" 67.9 cm	25 11/16" 65.2 cm	13 1/2" 34.3 cm	9" 27.9 cm	32 1/2" 82.5 cm	16 7/8" 42.3 cm	7 1/16" 17.9 cm	7 1/16" 3000# FL
11" 3000#	39" 99 cm	25" 63.5 cm	23 1/8" 58.7 cm	11 3/4" 29.9 cm	11" 28 cm	32 1/2" 82.5 cm	16 7/8" 42.3 cm	7 1/16" 17.9 cm	7 1/16" 3000# FL
11" 5000# Rotating	45" 114.3 cm	31" 78.7 cm	29 1/8" 74 cm	17 3/4" 45.1 cm	11" 28 cm	32 1/2" 82.5 cm	16 7/8" 42.3 cm	7 1/16" 17.9 cm	7 1/16" 3000# FL
13 5/8" 5000# Rotating	42 1/16" 106.8 cm	28 1/4" 71.8 cm	27 1/8" 68.9 cm	15" 38.1 cm	12 3/4" 32.4 cm	32 1/2" 82.5 cm	16 7/8" 42.3 cm	7 1/16" 17.9 cm	7 1/16" 3000# FL

E Bore: varies due to flange size to maximum ID 13 5/8". Note: Due to the uncontrolled conditions of the drilling environment, STRATA Energy Services Inc., its business units, agents and affiliates make no warranty either expressed or implied in regards to the working pressures contained herein, once put into service.