

STRATA RCD 5000 S Rotating Control Device Technical Specifications

Physical

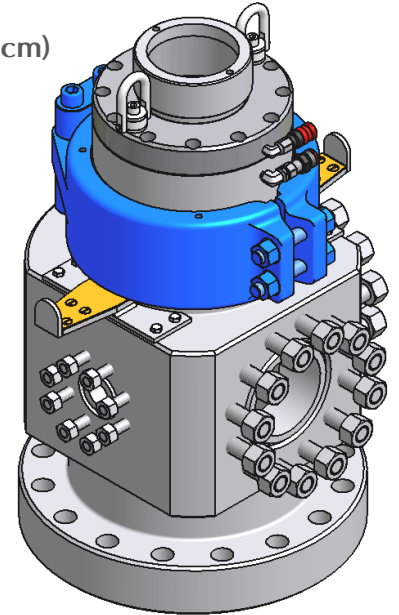
Inside Diameter, Bearing Assembly	7 1/16"	(17.9 cm)
Outside Diameter, Bearing Assembly	16 7/8"	(42.8 cm)
Height	43 1/2"	(110.5 cm)

Ratings

Dynamic Stripping & Rotating Pressure

2500 psi (17237 kPa)	@ 50 RPM
2000 psi (13790 kPa)	@ 100 RPM
1500 psi (10342 kPa)	@ 150 RPM
1000 psi (6895 kPa)	@ 200 RPM

Maximum RPM 200 RPM

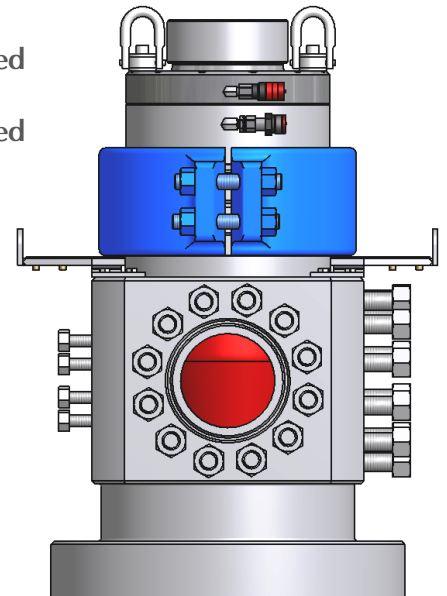


Connections

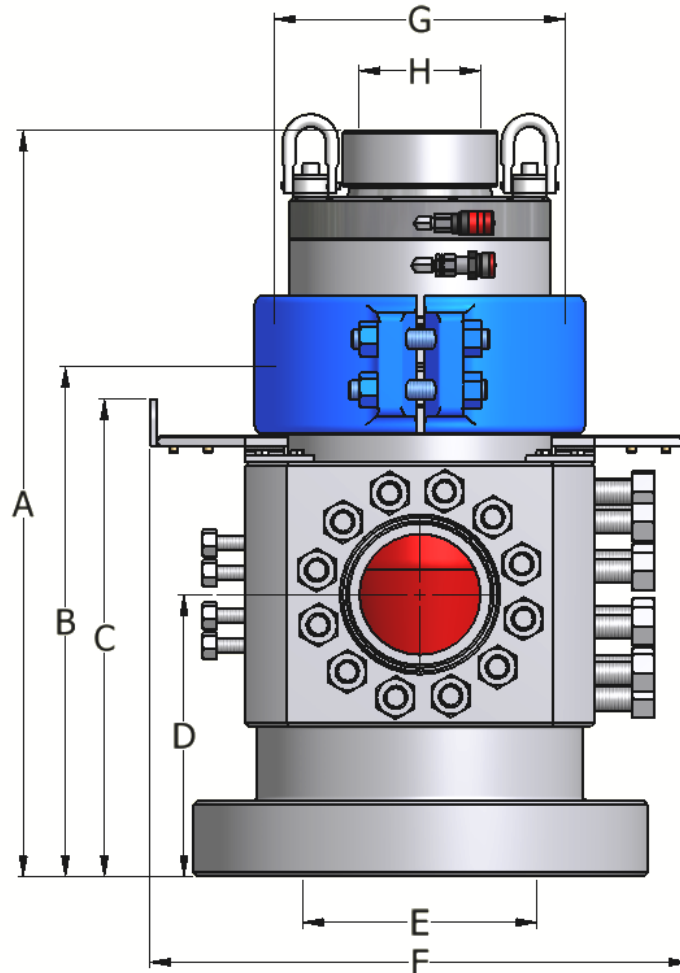
Bottom Inlet	API Flanged, Customer Spec.
Side Outlet(s)	7 1/16" 5000# API Studded Or DUAL 7 1/16" 5000# API Studded
Equalize/Bleed Down	2 1/16" 5000# API Studded
Snubbing Adaptor	7 1/16" 5000# API Studded

Accessories

- 5 or 10 HP hydraulic cooling and lubricating systems
- Fully equipped field servicing unit
- Valving, equalizing line, and flexible flow line is available



STRATA RCD 5000 S Rotating Control Device Dimensional Data



Inlet Flange	A Bearing with Body	B** Body	C Clamp Brackets	D Connection Heights	E* Body Bore	F Clamp Width	G Bearing OD	H Bearing ID	Outlet Flange
11" 5000#	43 1/2" 110.5 cm	29 1/2" 74.9 cm	27 3/8" 69.5 cm	18 3/8" 46.7 cm	11" 27.9 cm	34 7/8" 88.6 cm	16 7/8" 42.3 cm	7 1/16" 17.9 cm	2 @ 7 1/16" 5K
11" 5000# Rotating	43 1/2" 110.5 cm	29 1/2" 74.9 cm	27 3/8" 69.5 cm	18 3/8" 46.7 cm	11" 27.9 cm	34 7/8" 88.6 cm	16 7/8" 42.3 cm	7 1/16" 17.9 cm	2 @ 7 1/16" 5K
13 5/8" 5000#	43 1/2" 110.5 cm	29 1/2" 74.9 cm	27 3/8" 69.5 cm	18 3/8" 46.7 cm	12 3/4" 32.4 cm	34 7/8" 88.6 cm	16 7/8" 42.3 cm	7 1/16" 17.9 cm	2 @ 7 1/16" 5K

E Bore: varies due to flange size to maximum ID 13 5/8"

Note: Due to the uncontrolled conditions of the drilling environment, STRATA Energy Services Inc., its business units, agents and affiliates make no warranty either expressed or implied in regards to the working pressures contained herein, once put into service.