

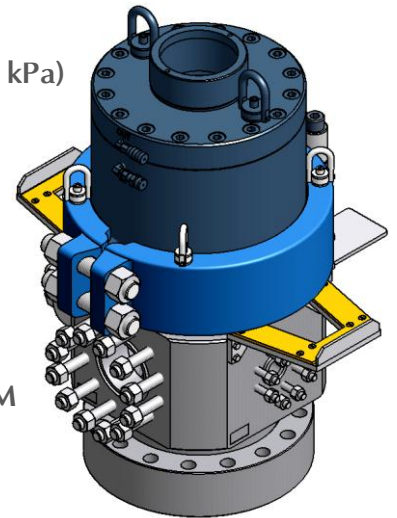
STRATA RCD 5000 BB (Big Bore) - Rotating Control Device Technical Specifications

Physical

Inside Diameter, Bearing Assembly	9 1/16"	(23 cm)
Outside Diameter, Bearing Assembly	27 1/8"	(69 cm)
Height	56 5/16"	(143 cm)

Ratings

Maximum Static Pressure	5000 psi	(34 475 kPa)
Dynamic Stripping & Rotating Pressure		
	2500 psi (17237 kPa)	@ 50 RPM
	2000 psi (13790 kPa)	@ 100 RPM
	1500 psi (10342 kPa)	@ 150 RPM
	1000 psi (6895 kPa)	@ 200 RPM
Maximum RPM		200 RPM

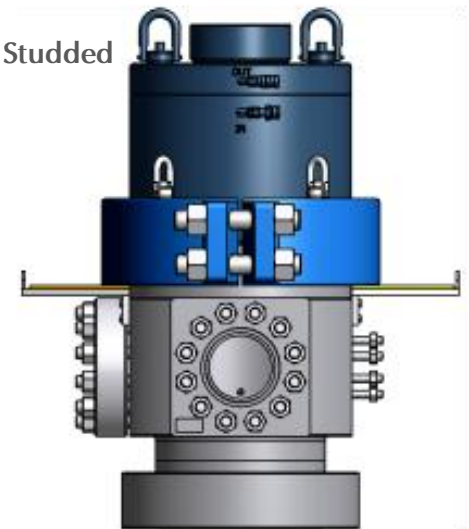


Connections:

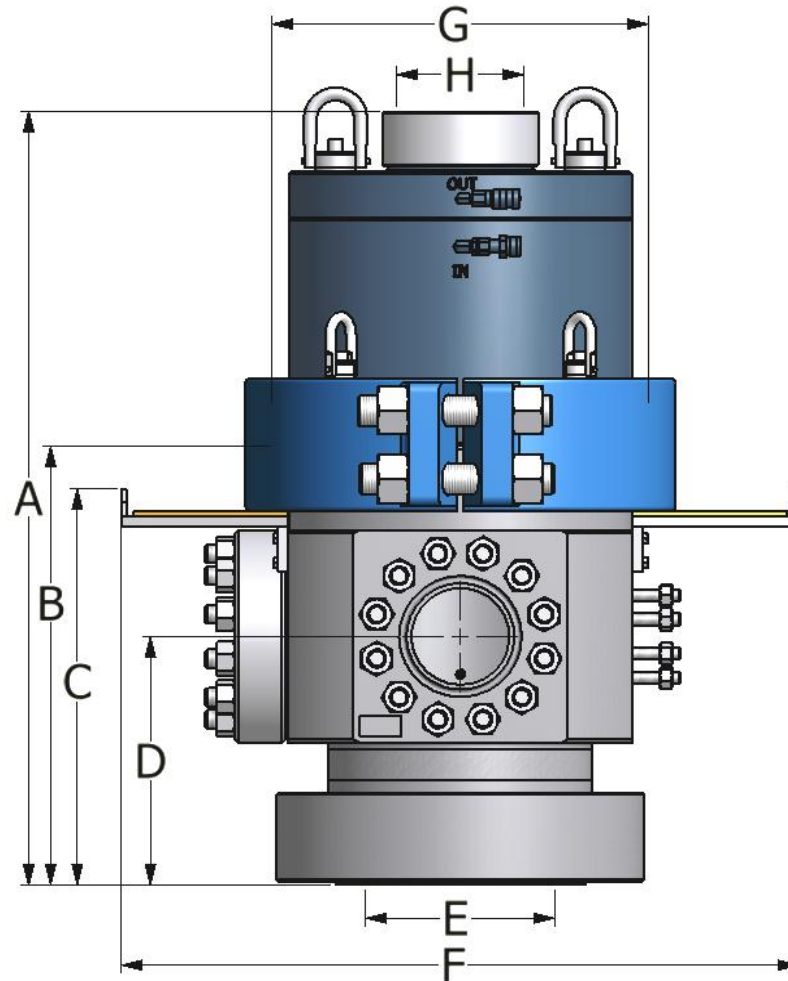
Bottom Inlet	13 5/8" API Flanged, or Customer Spec.
Dual Side Outlet	7 1/16" 5000# API Studded
Equalize/Bleed Down	2 1/16" 5000# API Studded
Snubbing Adaptor	9 1/16" 5000# API Studded

Accessories:

- 30 HP fully-automated hydraulic cooling and lubricating system
- Fully equipped field servicing unit
- Valving, equalizing line, and flexible flow line is available



STRATA RCD 5000 BB (Big Bore) - Rotating Control Device Dimensional Data



Inlet Flange	A Bearing with Body	B* Body	C Clamp Brackets	D Connectio n Heights	E* Body Bore	F Clamp Width	G Bearing OD	H Bearing ID	Outlet Flange	Height w/ Dual Stripper
13 5/8" 5K	56 5/16" 143 cm	32" 81.3 cm	28 7/8" 73.3 cm	18 1/8" 46 cm	13 5/8" 34.6 cm	31" 78.8 cm	27 1/8" 68.9 cm	9 1/16" 23 cm	2 @ 7 1/16" 5K	83 5/16" 211.6 cm

Note: Due to the uncontrolled conditions of the drilling environment, STRATA Energy Services Inc., its business units, agents and affiliates make no warranty either expressed or implied in regards to the working pressures contained herein, once put into service.