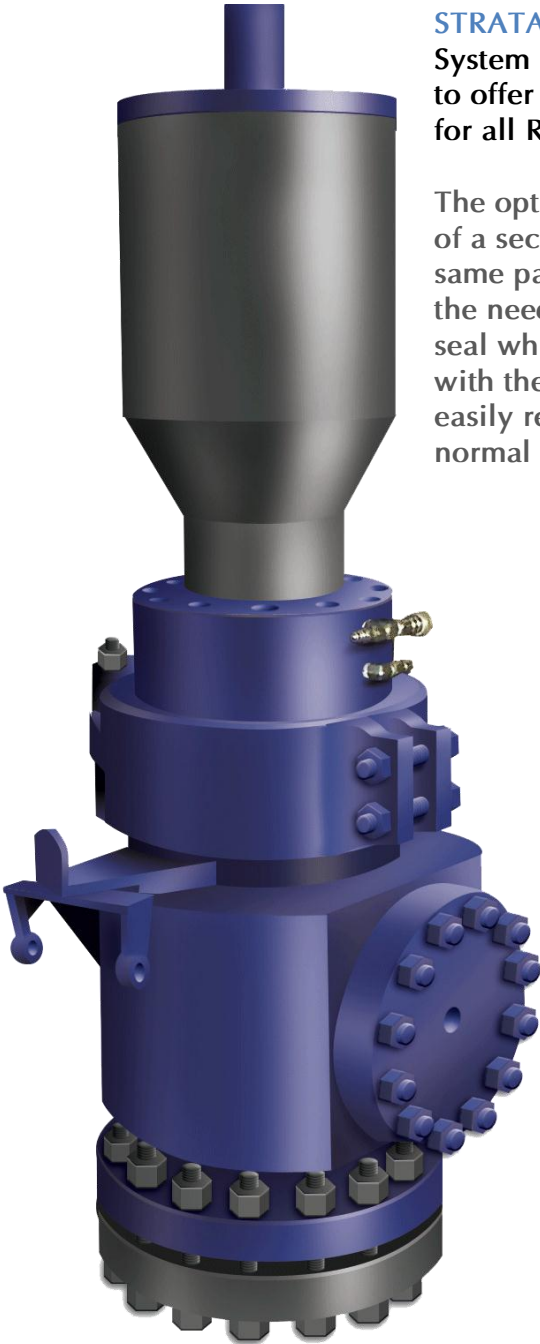


STRATA RCD System Dual Sealing Control Diverter Option



STRATA Energy Services Inc., provider of the STRATA RCD System 1500, RCD System 3000 and RCD System 5000 is proud to offer the option of a second (Dual) stripping/sealing element for all RCD systems.

The optional upper rotating seal provides added safety in the form of a second rotating sealing element. This system utilizes the same patented STRATA sealing elements as the RCD, eliminating the need to stock multiple elements and providing a secondary seal which has proven itself many times over in the industry. As with the RCD systems the sealing element can be quickly and easily replaced on the rig floor and does not interfere with the normal service and operation of the RCD system.

Specifications:

Inside Bore	To suit RCD System Up to 9 1/16" (23.02 cm)
Height	26" (66 cm) to 30 9/16" (77.63 cm)
Max. Static Pressure	Up to 5000 psi (34475 kPa)
Dynamic Pressure	Up to 2500 psi (17238 kPa)
Rotation	200 RPM Max
Element Sizes	Available for Drill Pipe from 2 3/8" (6.03 cm) up to 5.5" (14 cm) Diameter